



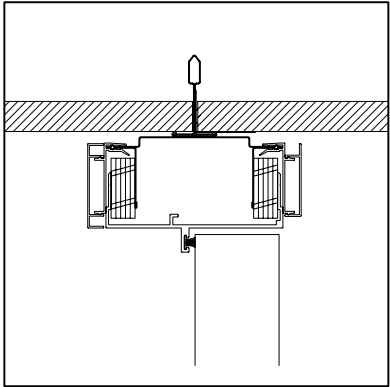
ALL-ALUMINUM SECTION DRAWINGS

The selection guide pages are intended to give an overview of All-Aluminum components. You can combine any of the details that are best suited for your design.

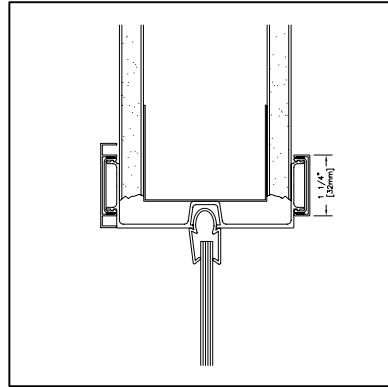
The number at the bottom of the drawings in the INDEX will direct you to the full size drawing.

INDEX

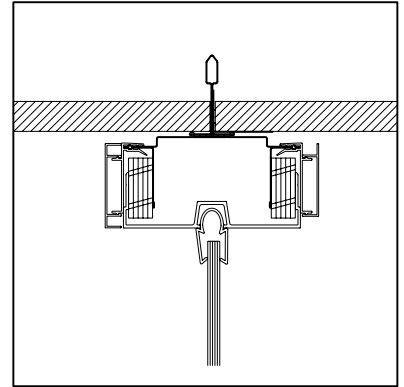
PS350 ALL-ALUMINUM COMPONENT DESIGN



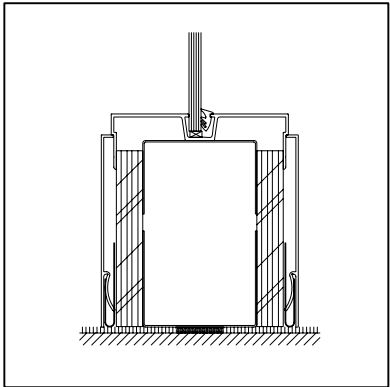
201



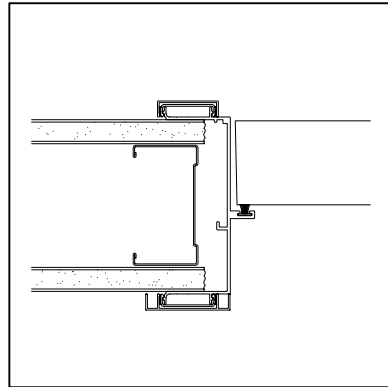
202



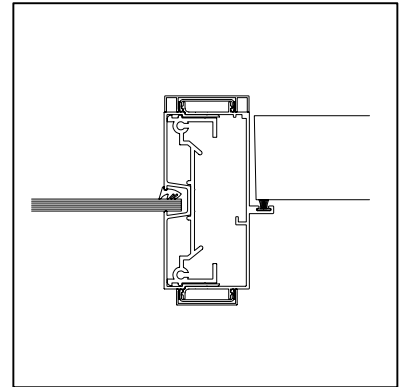
203



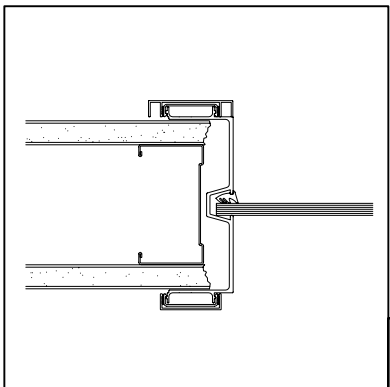
204



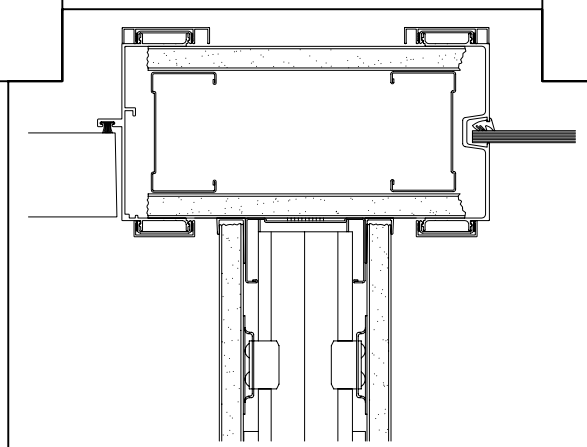
205



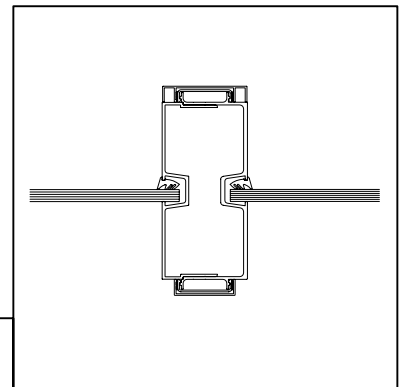
206



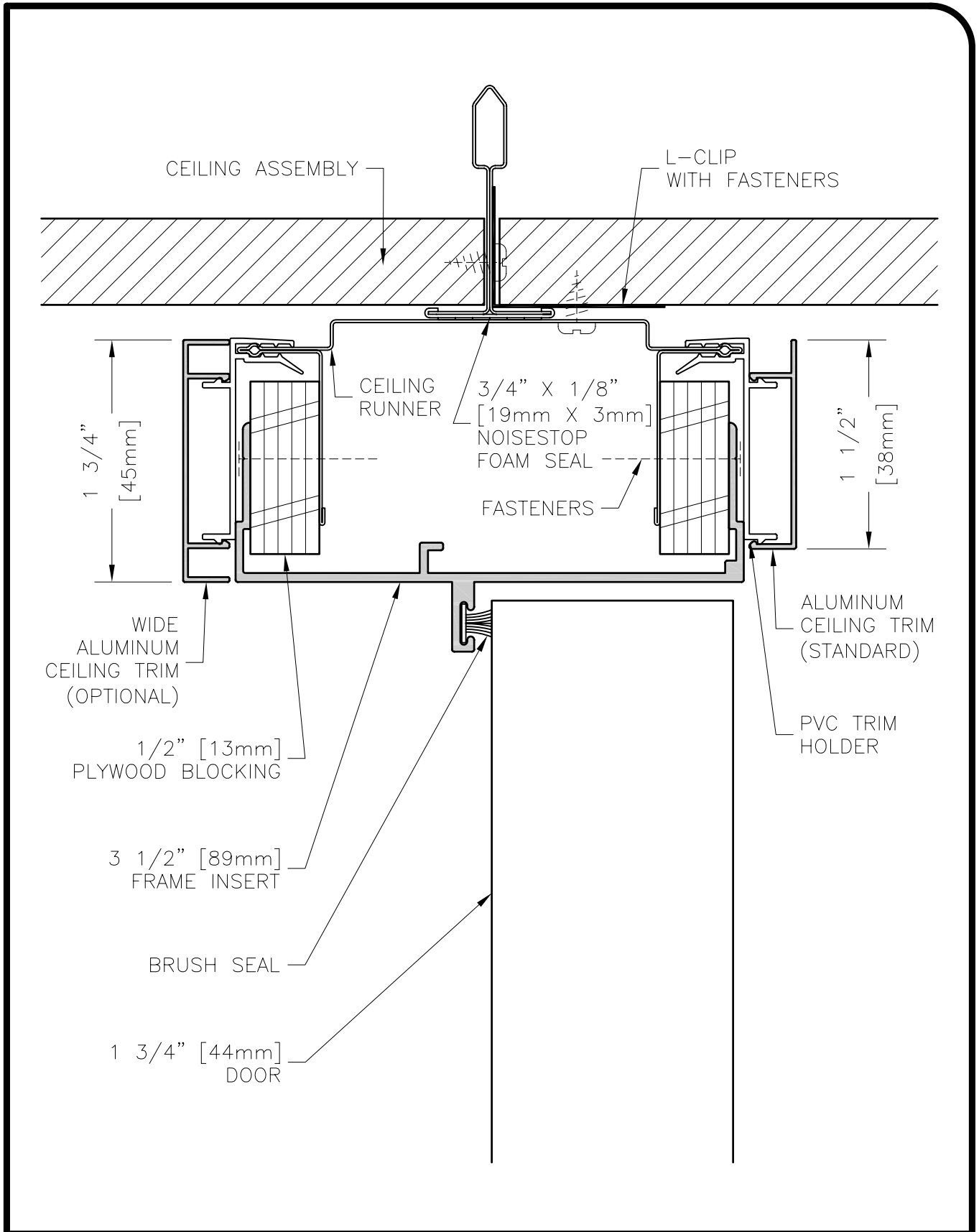
207



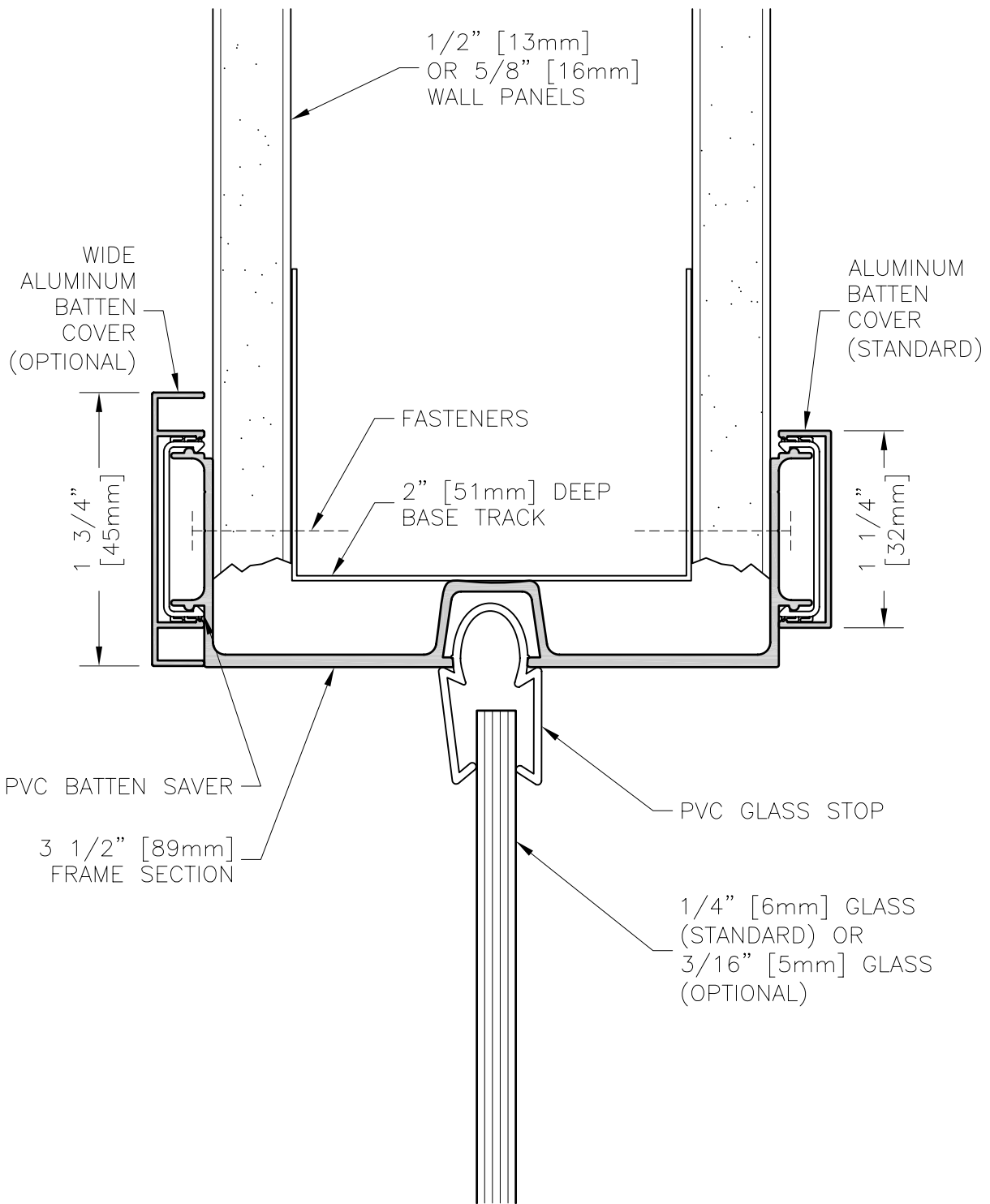
209



208



 PARTITION SYSTEMS	ALL-ALUMINUM FULL HEIGHT DOOR FRAME	DWG: <h1 style="text-align: center;">201</h1>
FILE: AA-201.dwg	SCALE: 1 : 1	DATE: 2006-11-27



**PARTITION
SYSTEMS**

ALL-ALUMINUM
GLASS/TRANSOM
PANEL

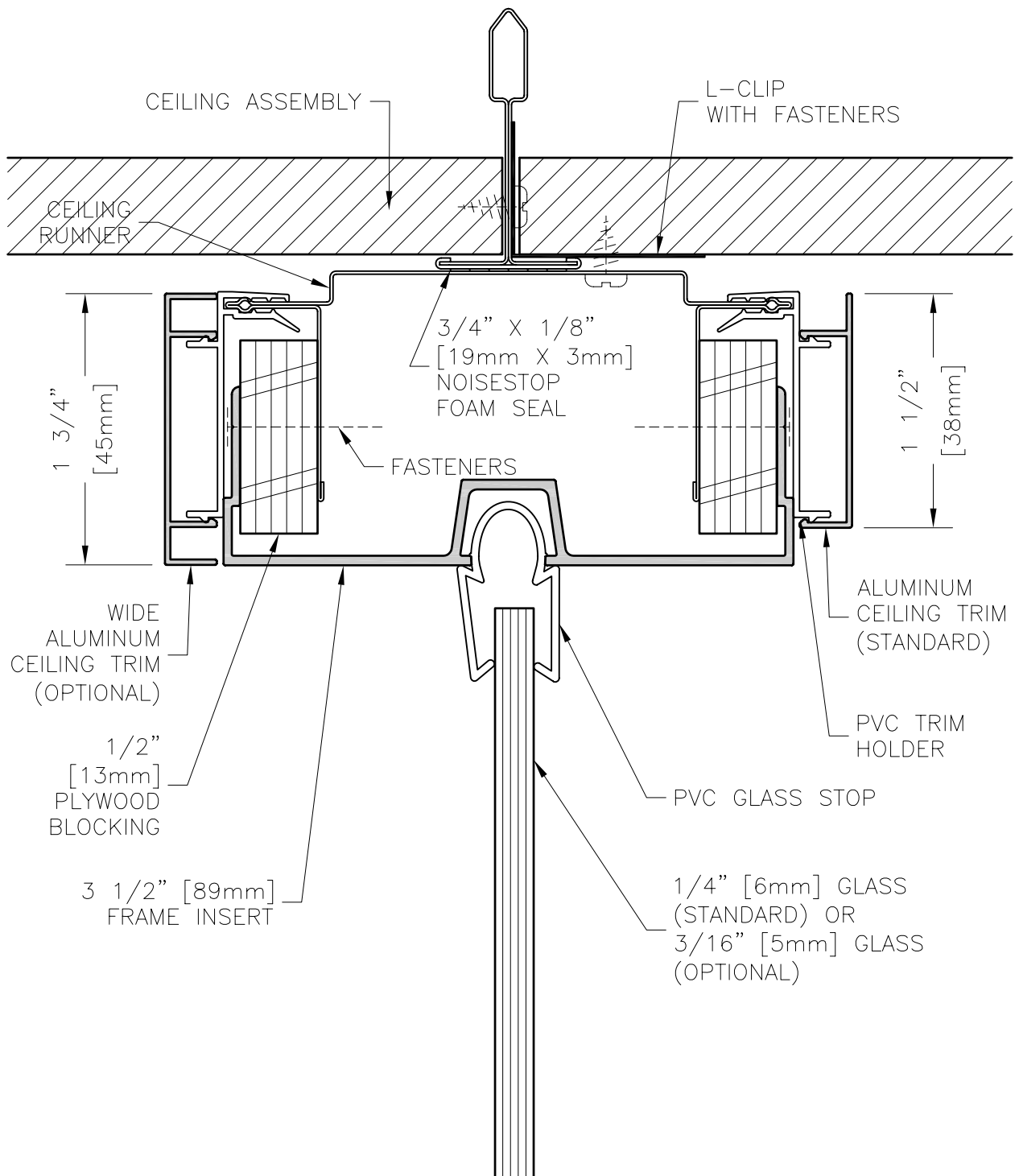
DWG:

202

FILE: AA-202.dwg

SCALE: 1 : 1

DATE: 2003-10-22



PARTITION SYSTEMS

ALL-ALUMINUM
FULL HEIGHT
GLASS AT CEILING

DWG:

203

FILE: AA-203.dwg

SCALE: 1 : 1

DATE: 2006-11-28

1/4" [6mm] GLASS (STANDARD) OR
3/16" [5mm] GLASS (OPTIONAL)

3 1/2" [89mm]
FRAME INSERT

GLAZING BEAD FOR 1/4" [6mm]
OR 3/16" [5mm] GLASS

4" [100mm]
ALUM. BASE
(2 SHOWN)

STANDARD
BASE TRACK

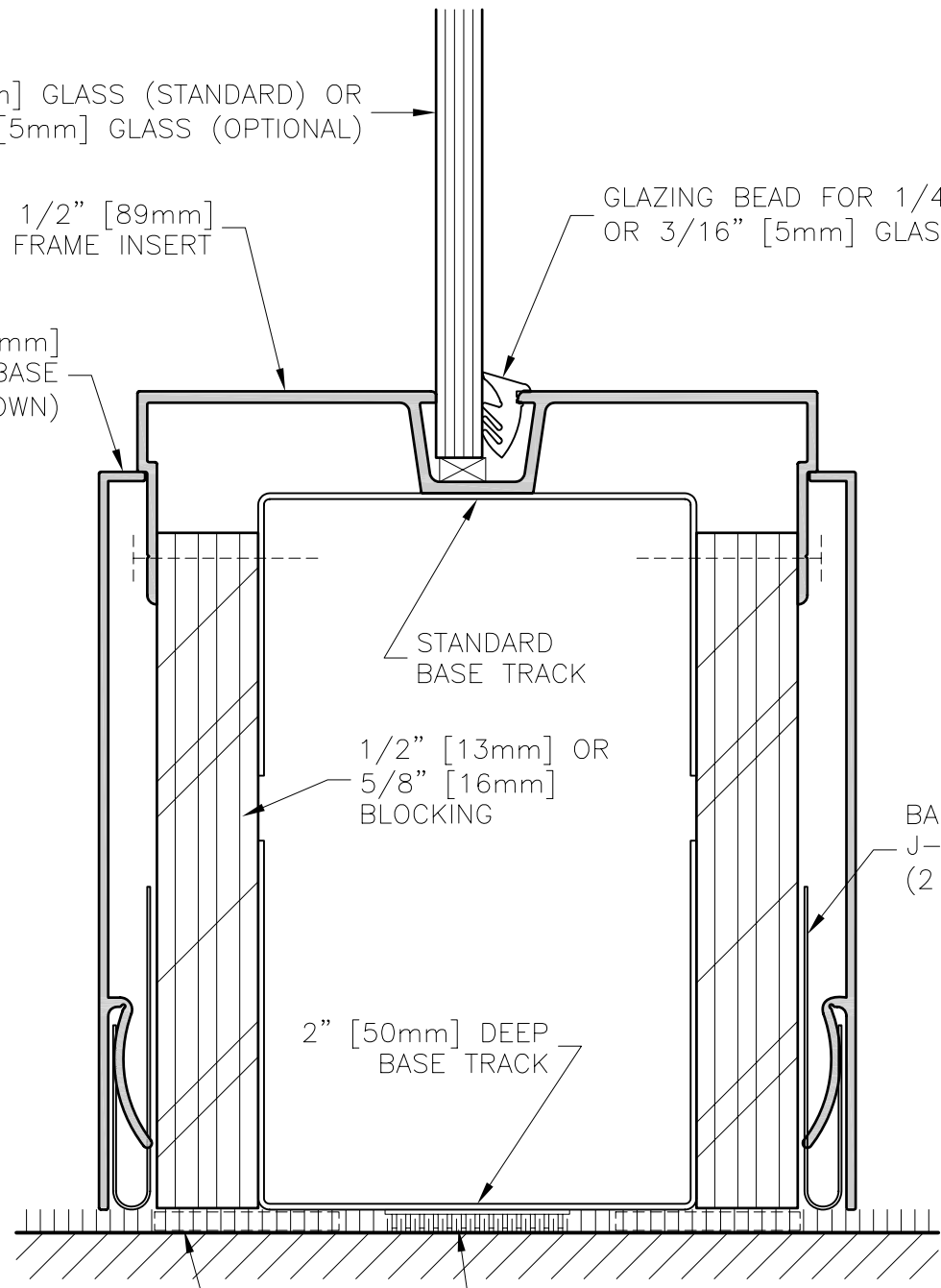
1/2" [13mm] OR
5/8" [16mm]
BLOCKING

BASE
J-HOOK
(2 SHOWN)

2" [50mm] DEEP
BASE TRACK

CARPET HOOK FASTENER

CLOSED CELL SOUND SEAL (OPTIONAL)
(2 SHOWN)



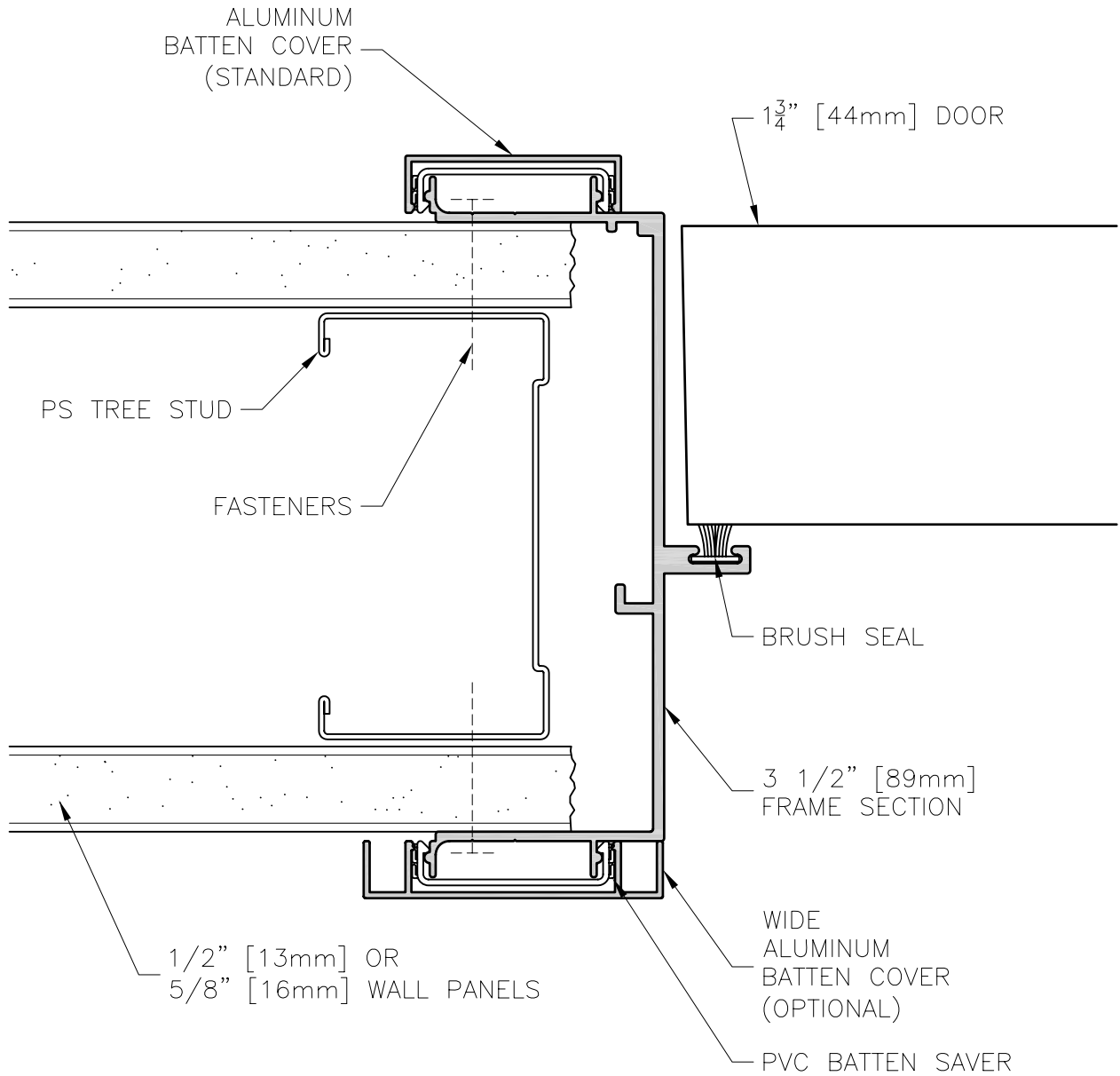
ALL-ALUMINUM GLAZING AT FLOOR SECTION

DWG:
204

FILE: AA-204.dwg

SCALE: 1 : 1

DATE: 2003-10-22



**PARTITION
SYSTEMS**

ALL-ALUMINUM
PANEL AT DOOR
SECTION

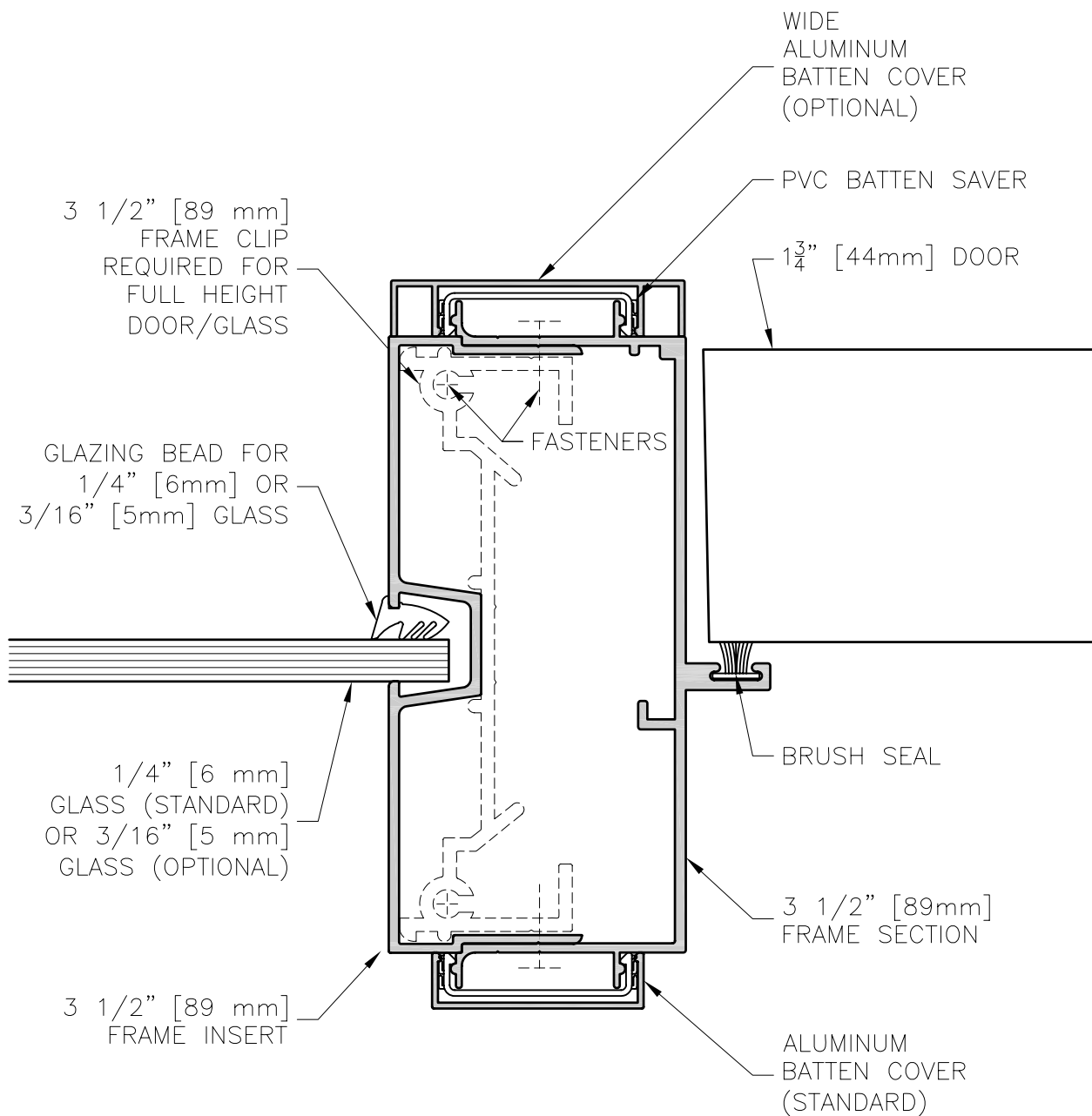
DWG:

205

FILE: PS350-205.DWG

SCALE: 1 : 1

DATE: 2003-10-22



PARTITION SYSTEMS

ALL-ALUMINUM
GLASS AT DOOR
SECTION

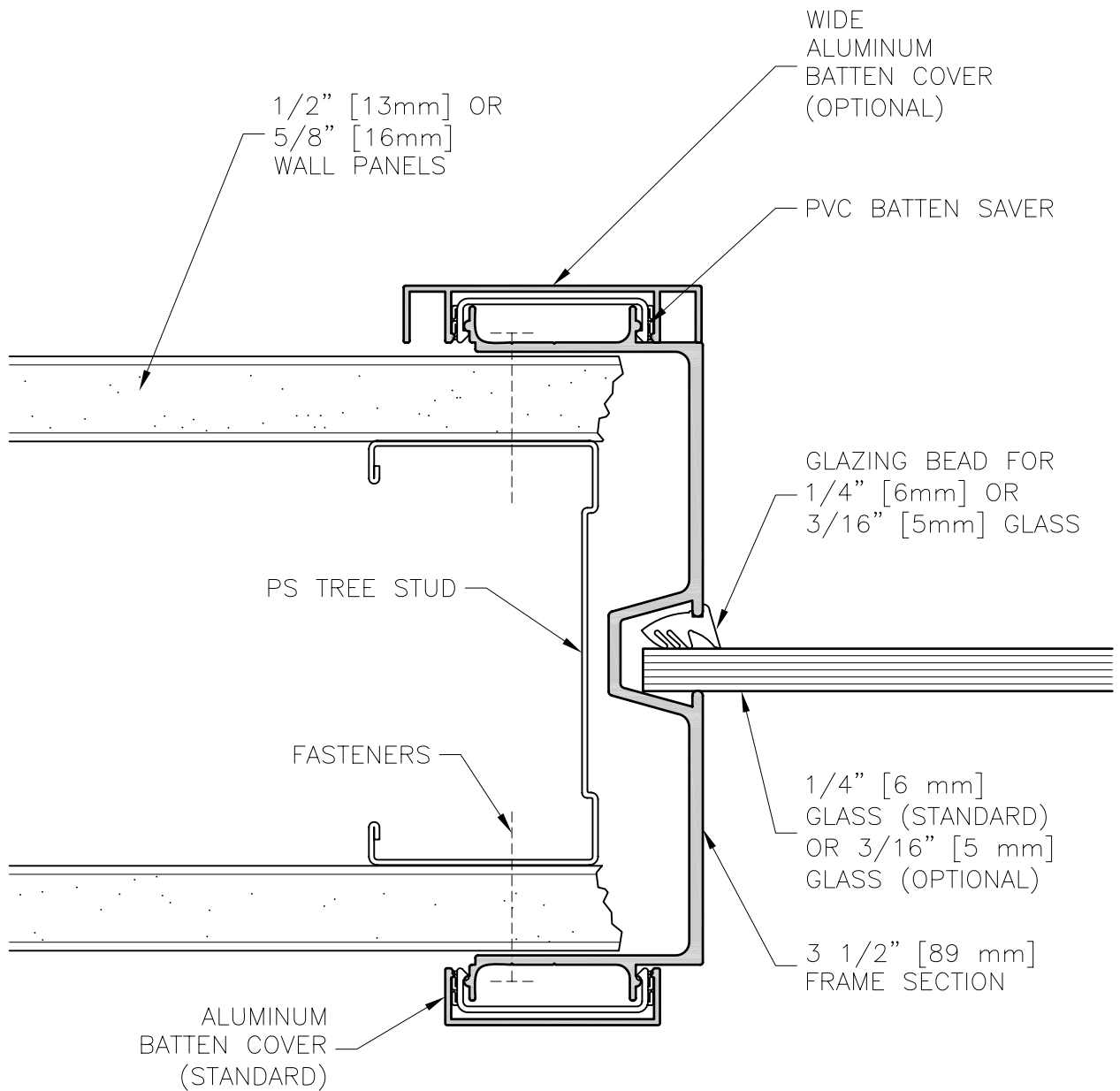
DWG:

206

FILE: AA-206.dwg

SCALE: 1 : 1

DATE: 2003-10-22



**PARTITION
SYSTEMS**

ALL-ALUMINUM
PANEL AT GLASS
SECTION

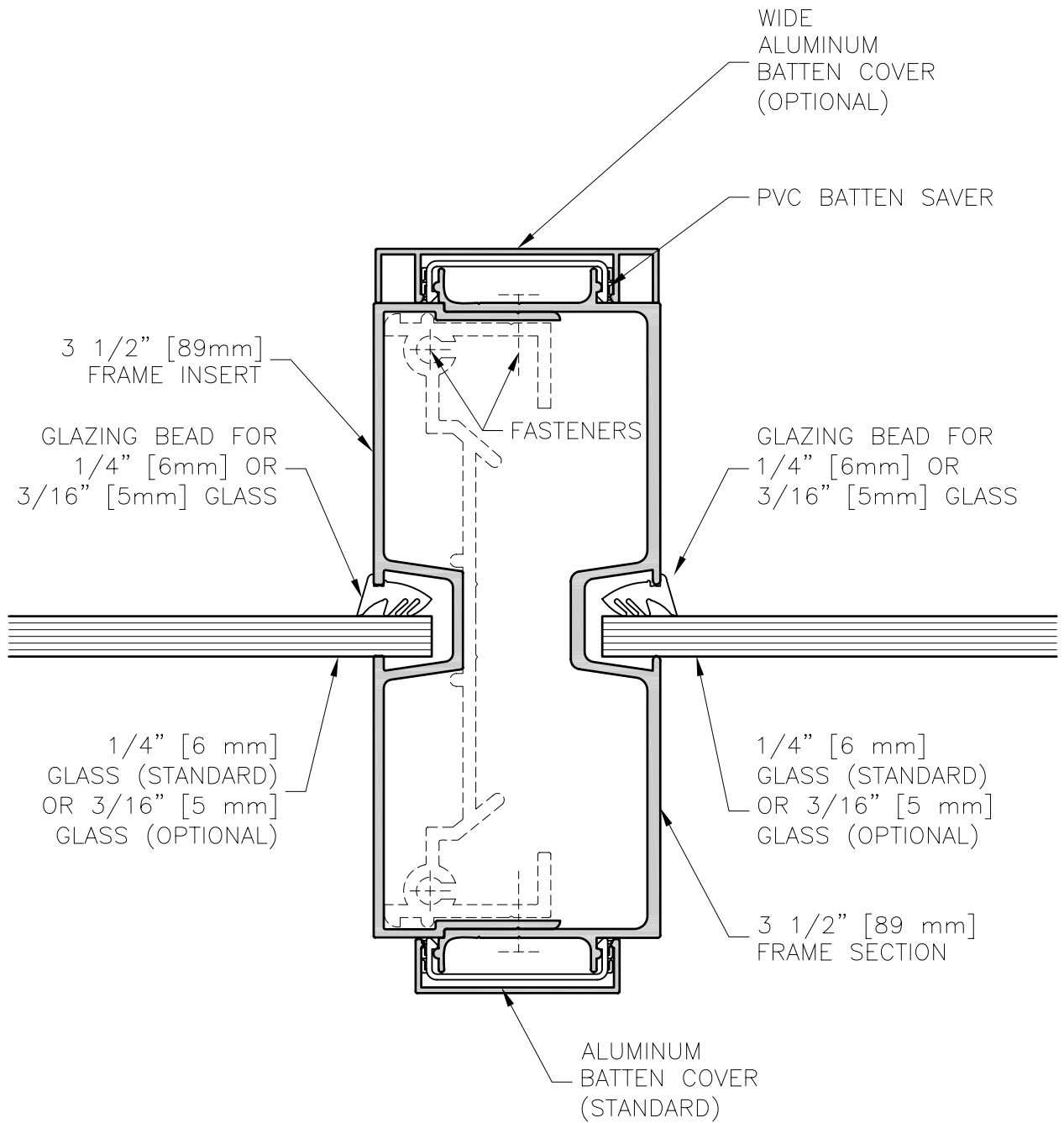
DWG:

207

FILE: PS350-207.DWG

SCALE: 1 : 1

DATE: 2003-10-22



PARTITION SYSTEMS

ALL-ALUMINUM
TWO WAY GLASS
SECTION

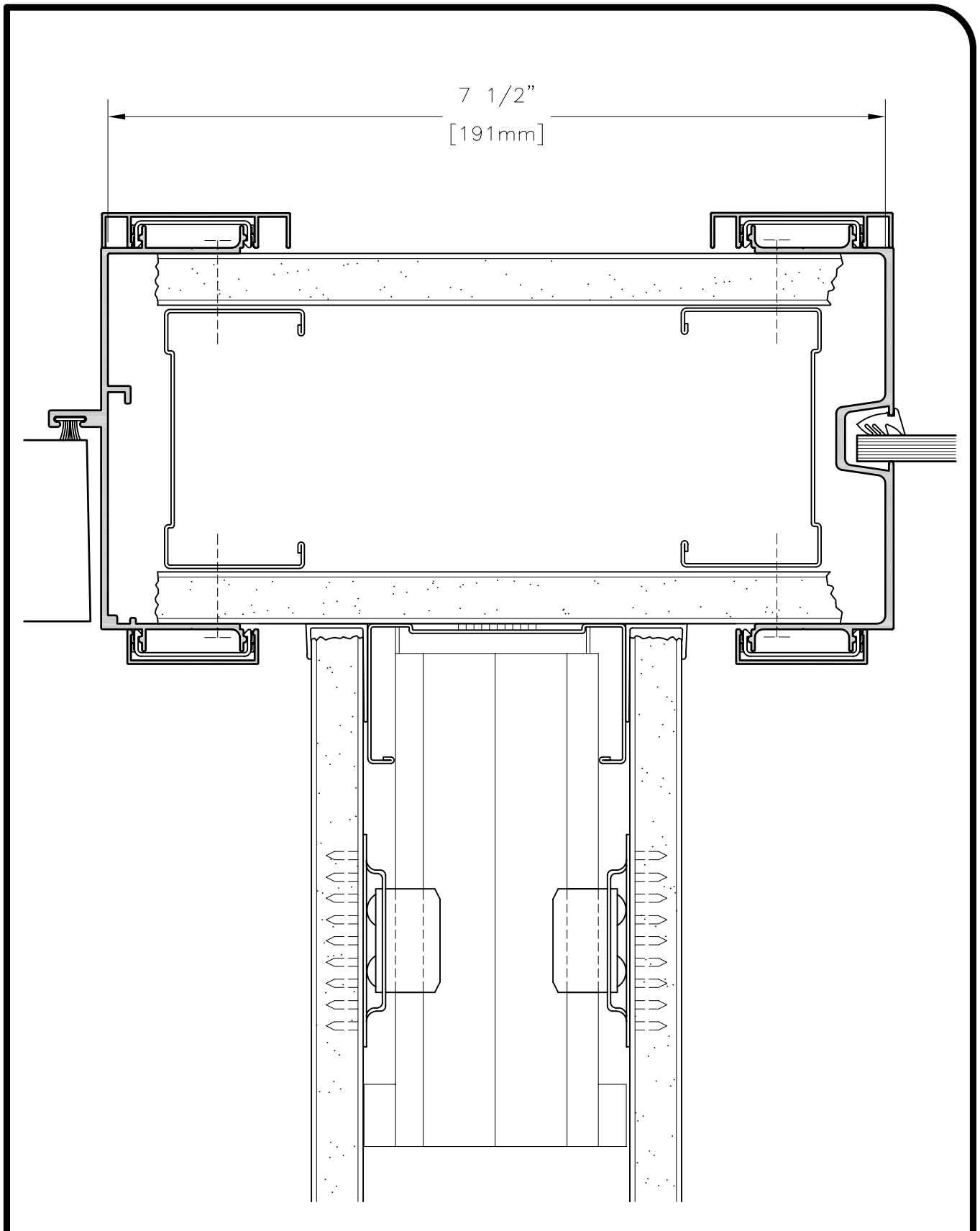
DWG:

208

FILE: AA-208.dwg

SCALE: 1 : 1

DATE: 2003-10-22



**PARTITION
SYSTEMS**

ALL-ALUMINUM
3-WAY INTERSECTION
SECTION

DWG:

209

FILE: PS350-209.DWG

SCALE: 3 : 4

DATE: 2003-10-22