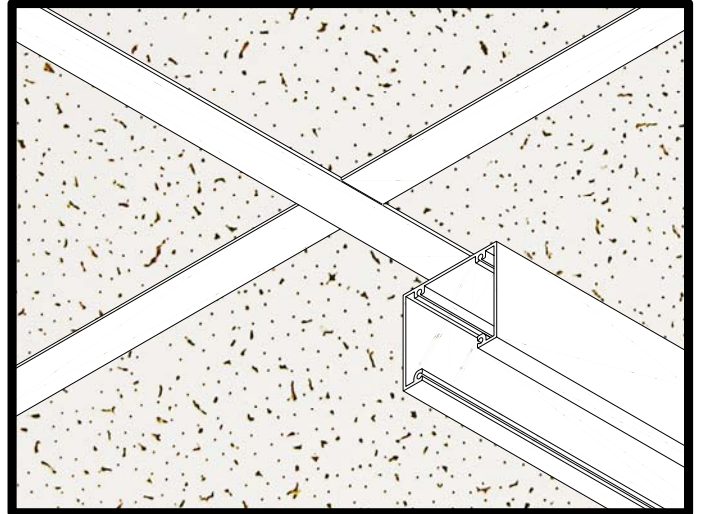


**CORPORATE SERIES
INSTALLATION INSTRUCTIONS
HEADER/TRACK**

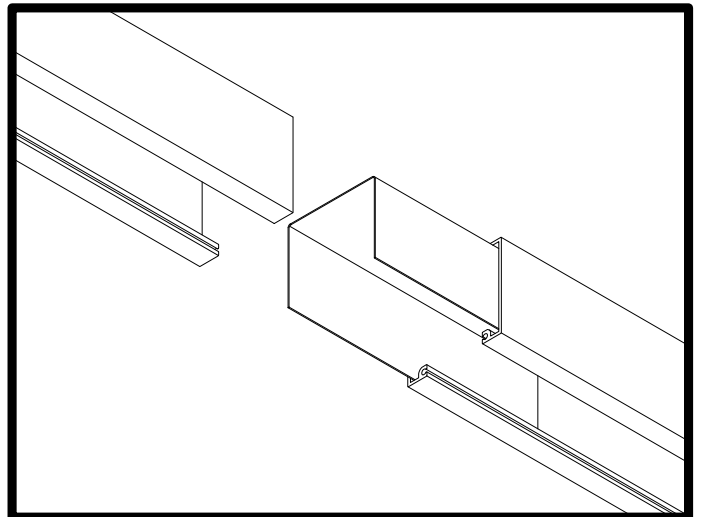
1. INSTALLING HEADER/TRACK

Layout the header/track on the ceiling as per the layout drawings supplied. Attach it with supplied Caddy Clips (for on-grid layouts). For layouts off grid use Revoe Clips, or screw directly into a bulkhead where blocking has been preinstalled. Ensure the foam tape is compressed to prevent light transmission over the top of the walls.



2. SPLICERS

6" or 12" U-channel splicers are provided to keep long stretches aligned properly.



3. CORNERS

At 90° and 135° corners, molded header/track may be provided (not shown). They should be spliced to the straight track with the U-channel splicers.

Occasionally, the header/tracks may be mitred, to fit corners.

4. INTERSECTIONS

At 3-way and 4-way conditions, the header/tracks will butt together.

