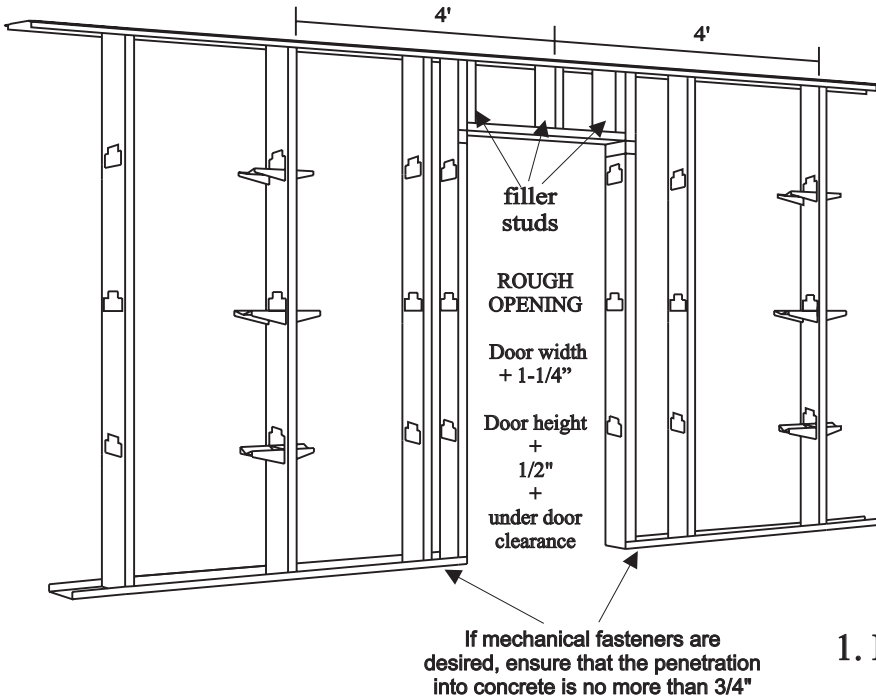




All Aluminum Door Frame

STEP BY STEP
INSTALLATION
INSTRUCTIONS

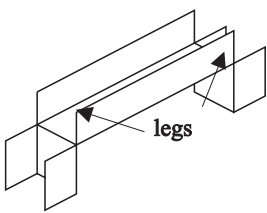
STEEL FRAMING AT ALL-ALUMINUM DOORS



Rough opening for partial height door
Cut out a rough header as shown in the following illustration. Install the header with the cutout legs pointing downwards. Add filler studs for extra support.

5 Steps To Install Steel Studs

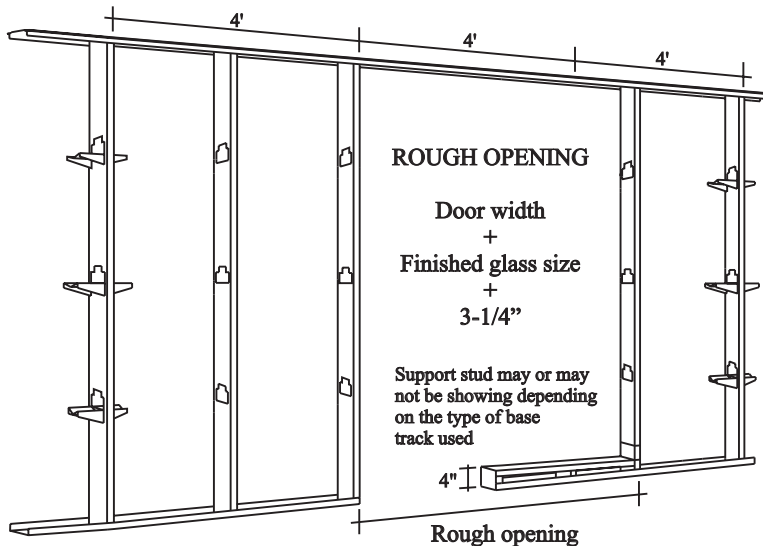
1. Fasten hinge side stud to the base track.
2. Plumb hinge side stud and fasten to the ceiling runner.
3. Measure over to jamb side stud at floor and fasten stud to track
4. Measure over to jamb stud at ceiling and fasten stud to ceiling runner
5. If it is a partial height door, cut rough header from base track and then install level with legs down at door height plus $\frac{1}{2}$ " above the finished floor plus under door clearance.



Rough header:

Cut out from a piece of track to use as a header in the rough opening for the partial height door.

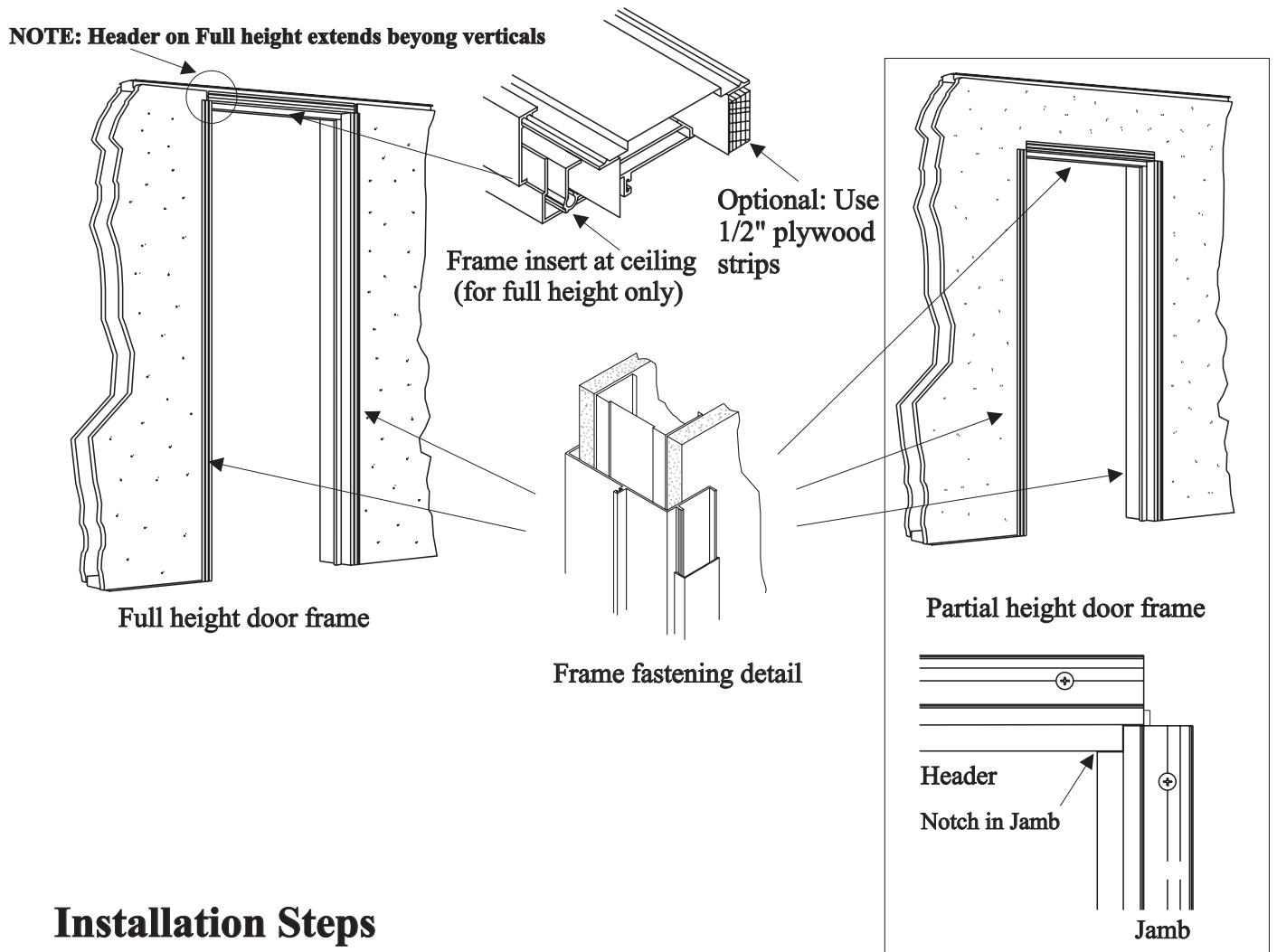
Fasten rough header to studs using $\frac{1}{2}$ " pan head screws. Header is set at door height plus $\frac{1}{2}$ " plus under door clearance.



Rough framing for full height door with sidelite

The rough opening should be the door width plus the finished glass width plus $3-1/4$ ". The rough sill should be installed 4" above the floor as illustrated.

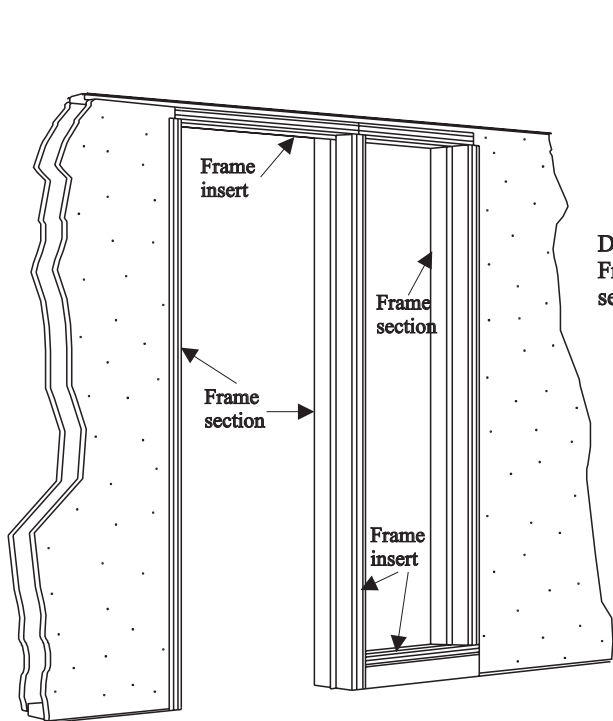
ALL-ALUMINUM DOOR FRAMES



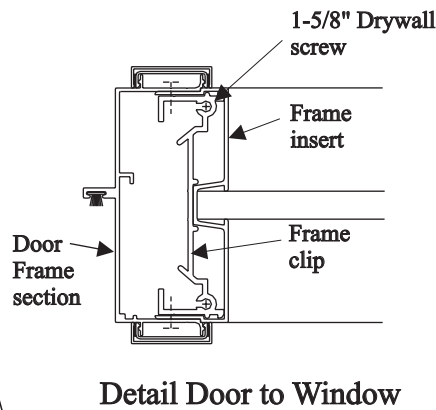
Installation Steps

1. Cut Header to length, slightly less than rough opening width.
2. Install Header into opening, level and fasten in place at desired height.
3. Measure and cut the bottoms of the jambs to fit under the header.
4. Install the jambs, ensure that they are square, parallel and plumb. Secure all the frames with drywall screws on 8" centers. Check that they remain straight while fastening.
5. Install batten covers, miter corners.
6. Install door.

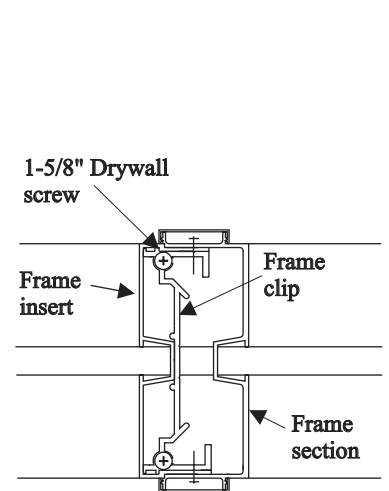
ALL-ALUMINUM DOOR FRAMES WITH SIDELITE



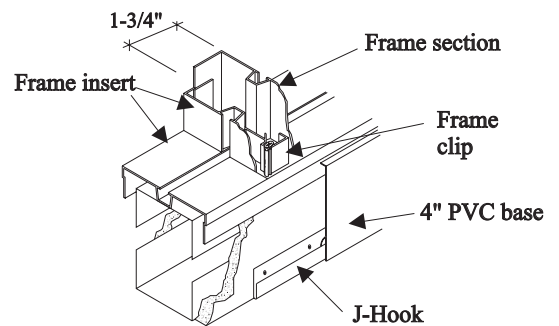
Full height door with sidelite



Detail Door to Window



Detail Window Mullion



Detail of glazed post

Installation Steps

1. Cut sill and headers so they are fairly tight in width to the rough opening jambs. Install but do not fasten the sill and header.
2. Measure and cut jambs to appropriate length. Install but do not fasten.
3. Attach frame clips to sill and headers as needed to secure jambs.
- 4 Level and fasten the sill and headers.
4. Square and fasten the jambs.
5. If full height frame, use frame clip on header, fastening frame insert and frame section @ 24" OC.

